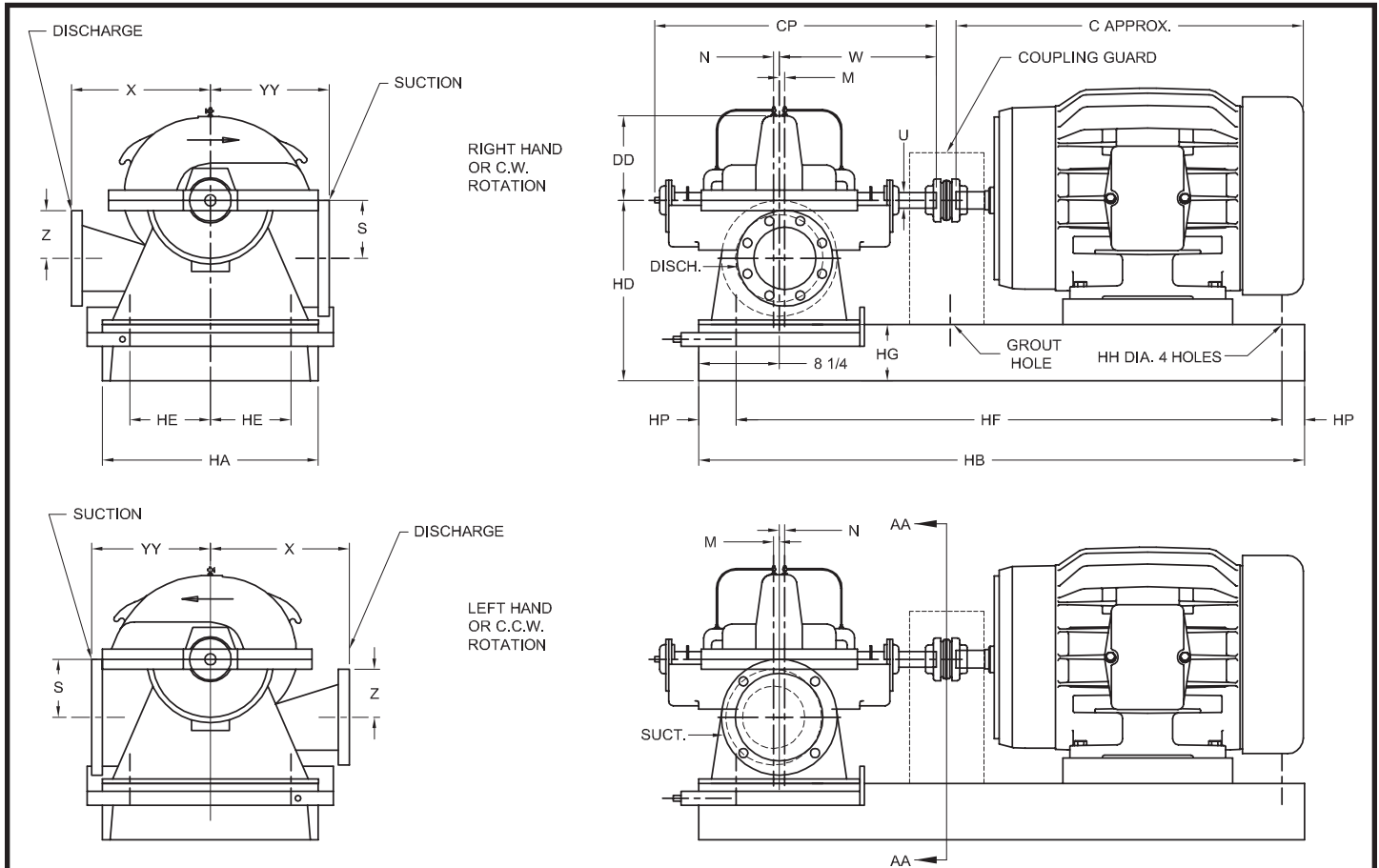


## Two Stage Split Case Centrifugal Pumps



RH/Clockwise rotation is furnished unless otherwise specified.

PUMP	TYPE	SUCT	DISCH	DD	CP	M	N	S	U	W	X	YY	Z
3 x 2 x 10	STANDARD BEARING	3	2	8¾	30	1⅜	0	5½	1⅛	16¼	10¼	12¾	5½
3 x 2 x 10	WATER COOLED THRUST BEARING	3	2	8¾	30%	1⅜	0	5½	1⅛	16¼	10¼	12¾	5½
3 x 2 x 10	WATER COOLED RADIAL & THRUST BEARING	3	2	8¾	33	1⅜	0	5½	1⅛	18%	10¼	12¾	5½
3 x 2 x 10	OIL LUBRICATED BEARING	3	2	8¾	33%	1⅜	0	5½	1⅛	18%	10¼	12¾	5½

FRAME NO.	145T	182T	184T	213T	215T	254T	256T	284TS	286TS	324TS	326TS	364TS	365TS
BASE No.	27507	27507	27507	27507	27507	27508	27508	27508	27508	27509	27509	27509	27509
C	13¾	14¾	15¾	17¾	19¾	22¾	24¾	24½	26	27¼	28¾	31	32
HA	18	18	18	18	18	18	18	18	18	18	18	18	18
HB	46	46	46	46	46	51	51	51	51	56	56	56	56
HD	14¼	14¼	14¼	14¼	14¼	14¼	14¼	14¼	14¼	14¼	14¼	14¼	14¼
HE	7½	7½	7½	7½	7½	7½	7½	7½	7½	7½	7½	7½	7½
HF	43½	43½	43½	43½	43½	48½	48½	48½	48½	53½	53½	53½	53½
HG	4	4	4	4	4	4	4	4	4	4	4	4	4
HH	¾	¾	¾	¾	¾	¾	¾	¾	¾	¾	¾	¾	¾
HP	1¼	1¼	1¼	1¼	1¼	1¼	1¼	1¼	1¼	1¼	1¼	1¼	1¼

AA - VIEW - LOOKING AT SHAFT EXTENSION FROM BEHIND THE DRIVER. RIGHT HAND OR C.W. ROTATION FURNISHED UNLESS OTHERWISE SPECIFIED.

PUMP	125 # ASA FF FLANGE			250# ASA FF FLANGE		
	SUCTION		B.C.	DISCHARGE		B.C.
	DIA.	#-BOLT		DIA.	#-BOLT	
3	7½	4 - 5/8	6	--	--	--
2	--	--	--	6½	8 - 5/8	5

Customer				Shop Order No.			Date:		By:	
Pump Data	Fig. No.	Size	Curve No.	GPM	Head	Sp. Gr.	Temp.	Rotation	Packing/Seal	
Motor Data	MFGR	Hp	RPM	Phase-Cycle Voltage		Frame	Enclosure	Insulation	Furnished by	Mounted